

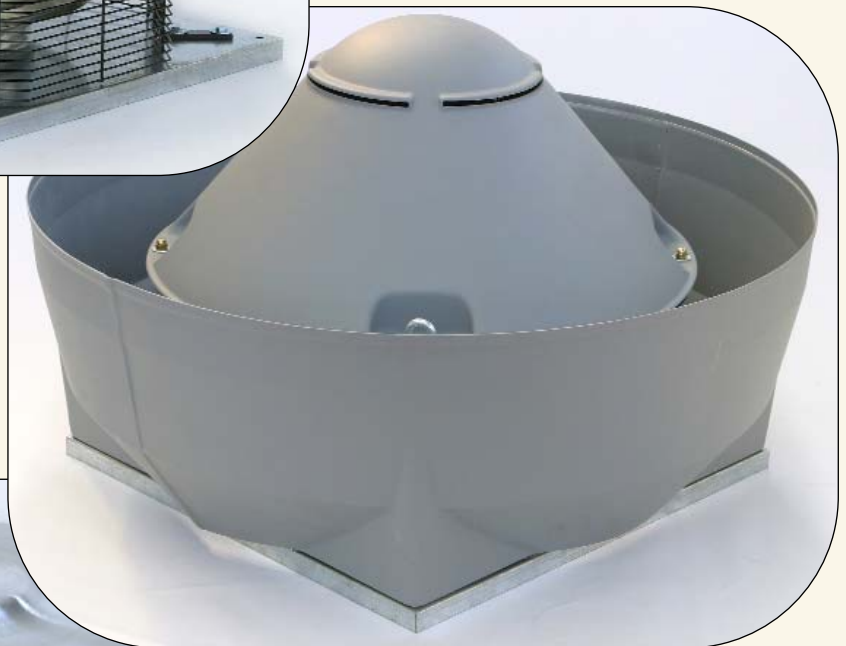
CENTRIFUGAL ROOF FANS

FOR INDUSTRIAL / COMMERCIAL USE

- “CRH” - Horizontal Discharge
- “CRV” - Vertical Discharge
- “CRL” - Low Profile



Uniclass L7534





“CRH/CRV” RANGE - TECHNICAL DATA

Model	Size		Power kW	Current		RPM	Max. Airflow		Duty - m ³ /sec at Pa										Speed Controller	
	ins	cm		1ph	3ph		m ³ /hr	c.f.m.	0	50	100	150	200	250	300	400	500	600	1ph	3ph
CRH254	10	25	0.09	0.90	0.38	1300	1250	738	0.35	0.31	0.25	0.20	0.13	-	-	-	-	-	VC1	VC2AT
CRH314	12	31	0.12	1.20	0.57	1400	2000	1180	0.56	0.49	0.43	0.36	0.29	0.20	0.09	-	-	-	VC1	VC2AT
CRH354	14	35	0.25	2.35	0.86	1300	2680	1581	0.74	0.67	0.61	0.53	0.47	0.40	0.29	-	-	-	VC4M	VC2AT
CRH404	16	40	0.55	4.75	1.60	1395	4310	2543	1.20	1.12	1.04	0.96	0.88	0.80	0.72	0.45	-	-	VC7M	VC2AT
CRH406	16	40	0.15	1.50	0.80	920	2850	1682	0.79	0.67	0.54	0.40	0.10	-	-	-	-	-	VC4M	VC2AT
CRH454	18	45	0.75	5.60	2.20	1435	5180	3056	1.44	1.36	1.29	1.19	1.06	0.97	0.90	0.78	0.54	-	VC7M	VC4AT
CRH456	18	45	0.37	2.30	1.20	910	3320	1959	0.92	0.78	0.63	0.51	0.41	-	-	-	-	-	VC4M	VC2AT
CRH504	20	50	1.10	-	2.80	1450	6820	4024	1.89	1.80	1.72	1.63	1.58	1.51	1.45	1.29	1.09	-	-	VC4AT
CRH506	20	50	0.37	-	1.20	950	4350	2567	1.21	1.10	1.00	0.88	0.75	0.59	0.35	-	-	-	-	VC2AT
CRH566	22	56	0.55	-	1.80	910	6340	3741	1.76	1.60	1.46	1.28	1.05	0.88	0.66	-	-	-	-	VC2AT
CRH636	25	63	1.10	-	3.40	910	10420	6148	2.89	2.75	2.62	2.50	2.37	2.25	2.10	1.72	1.15	-	-	VC4AT
CRH716	28	71	1.50	-	4.30	930	13100	7729	3.64	3.46	3.29	3.13	2.92	2.71	2.45	2.00	1.47	-	-	VC7AT
CRH756	30	75	1.80	-	5.00	940	15650	9234	4.35	4.20	4.04	3.86	3.58	3.24	2.92	2.48	2.17	-	-	VC7AT
CRH806	32	80	3.00	-	7.20	950	18000	10620	5.00	4.82	4.62	4.42	4.21	3.96	3.72	3.14	2.50	1.67	-	VC10AT

“CRH/CRV” RANGE - SOUND

Model	Sound Power Levels (db)								Sound Pressure dBa at 3m
	Mid Octave Bands (Hz)								
	63	125	250	500	1000	2000	4000	8000	
CRH254	33	48	51	54	56	52	44	34	39
CRH314	45	60	62	66	68	64	56	45	50
CRH354	45	60	63	66	68	64	56	46	51
CRH404	47	62	64	68	70	66	58	48	53
CRH406	40	49	55	58	60	56	48	38	43
CRH454	55	70	72	76	78	74	66	56	60
CRH456	47	56	62	65	67	63	55	45	50
CRH504	52	67	39	73	75	71	63	53	57
CRH506	45	54	60	63	65	61	53	43	48
CRH566	56	65	70	74	76	72	64	54	58
CRH636	55	64	70	73	75	71	63	53	58
CRH716	64	73	78	82	84	80	72	62	66
CRH756	64	79	81	85	87	83	75	65	70
CRH 806	63	76	79	83	85	81	73	71	68

“CRH” Roof Mounted Centrifugal Fan

- Horizontal discharge fans for direct or ducted ventilation in residential, commercial and industrial buildings
- Designed for easy installation with high efficiency and low noise levels
- Motor out of airstream allowing extraction of clean or slightly dusty air with a maximum temperature of up to 80°C
- 11 sizes - from 250 to 800 mm
- Airflow from 1200 to 18000 m³/hr
- Base frame and dynamically balanced backward curved impeller in galvanised steel
- Protection guard in steel rod resistant to atmospheric corrosion
- Upper cover in ABS with slots for motor cooling
- Single or three phase motors, IP55, Class F suitable for continuous running
- Four and six pole motors

Also available:

- Models with flameproof motor (ATEX)
- Emergency Smoke Extract Version - "Smokex®"

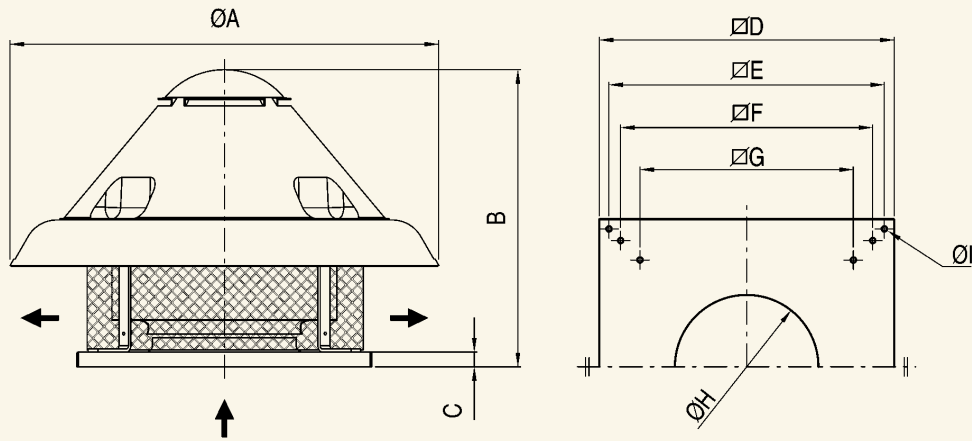
“CRV” Vertical Discharge Roof Mounted Centrifugal Fan

- Vertical discharge fans for direct or ducted ventilation in residential, commercial and industrial buildings
- Designed for easy installation with high efficiency and low noise levels
- Motor out of airstream allowing extraction of clean or slightly dusty air with a maximum temperature of up to 60°C
- 11 sizes - from 250 to 800 mm
- Airflow from 1080 to 16200 m³/hr
- Base frame and dynamically balanced backward curved impeller in galvanised steel
- Protection guard in steel rod resistant to atmospheric corrosion
- Outer deflector and upper cover in ABS with slots for motor cooling
- Single or three phase , IP55, Class F suitable for continuous running
- Four and six pole motors

Also available:

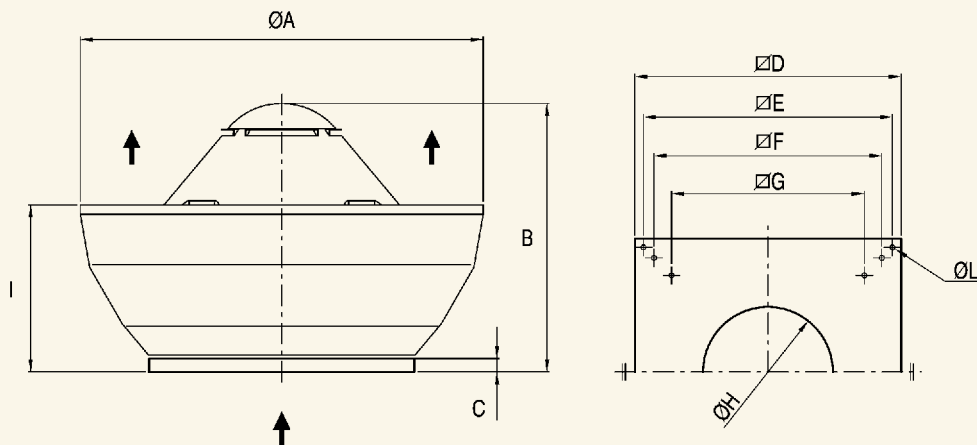
- Models with flameproof motor (ATEX)
- Inlet Protection Guard

“CRH” RANGE - DIMENSIONS - mm



Model	øA	B	C	D	E	F	G	øH	øI	kg
CRH254	600	500	38	400	330	-	257	180	12	14
CRH314	600	510	38	400	360	-	307	220	12	16
CRH354	750	580	38	500	450	-	380	270	12	25
CRH40s	900	640	38	650	600	530	471	296	12	30
CRH45s	900	650	38	650	600	530	471	296	12	38
CRH50s	1100	750	38	760	710	650	550	320	14	55
CRH566	1100	750	38	760	710	650	550	370	14	57
CRH636	1300	850	38	930	870	775	665	430	14	75
CRH716	1300	880	38	930	870	775	665	480	14	94
CRH756	1300	880	38	930	870	775	665	480	14	108
CRH806	1300	880	38	930	870	775	665	530	14	118

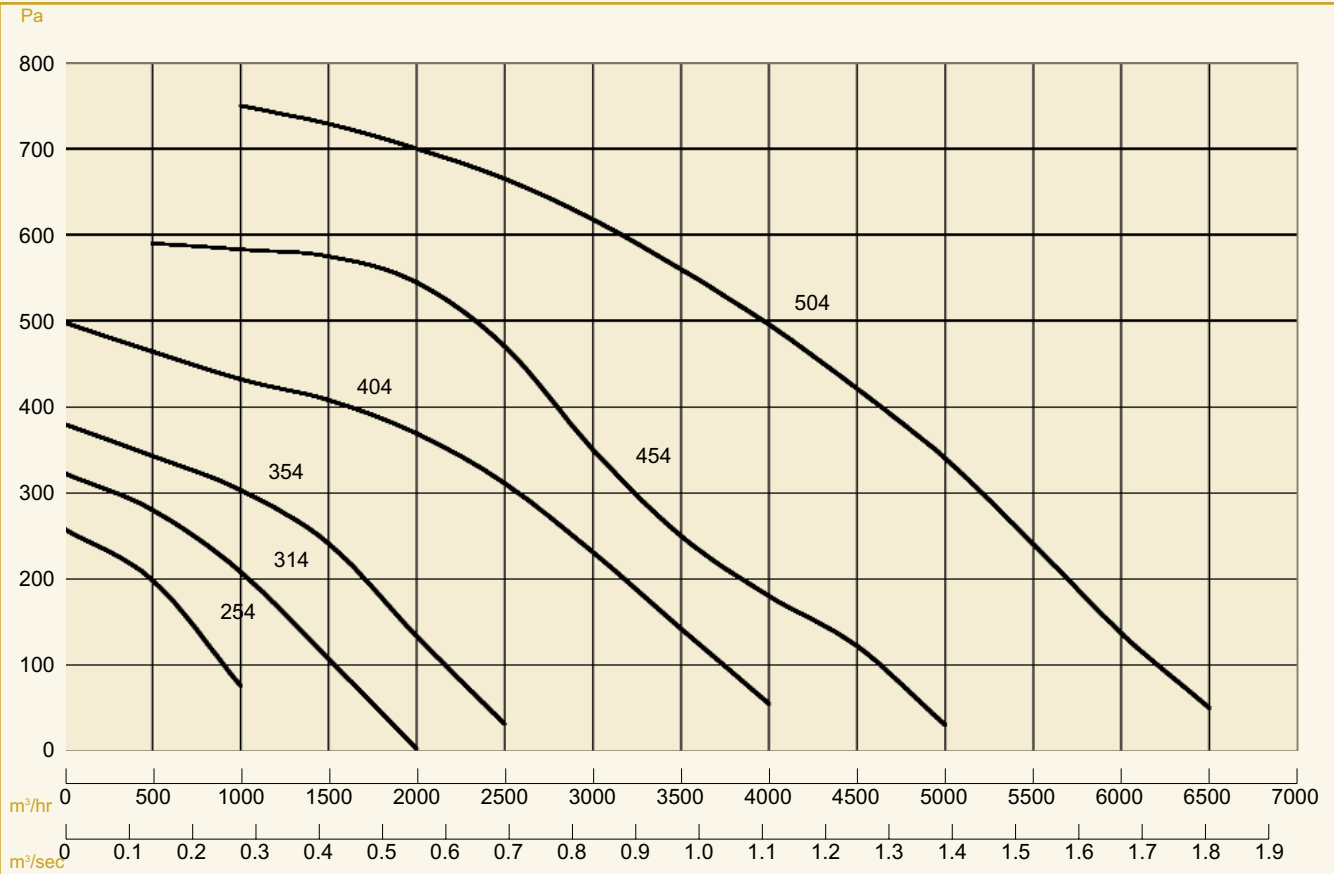
“CRV” RANGE - DIMENSIONS - mm



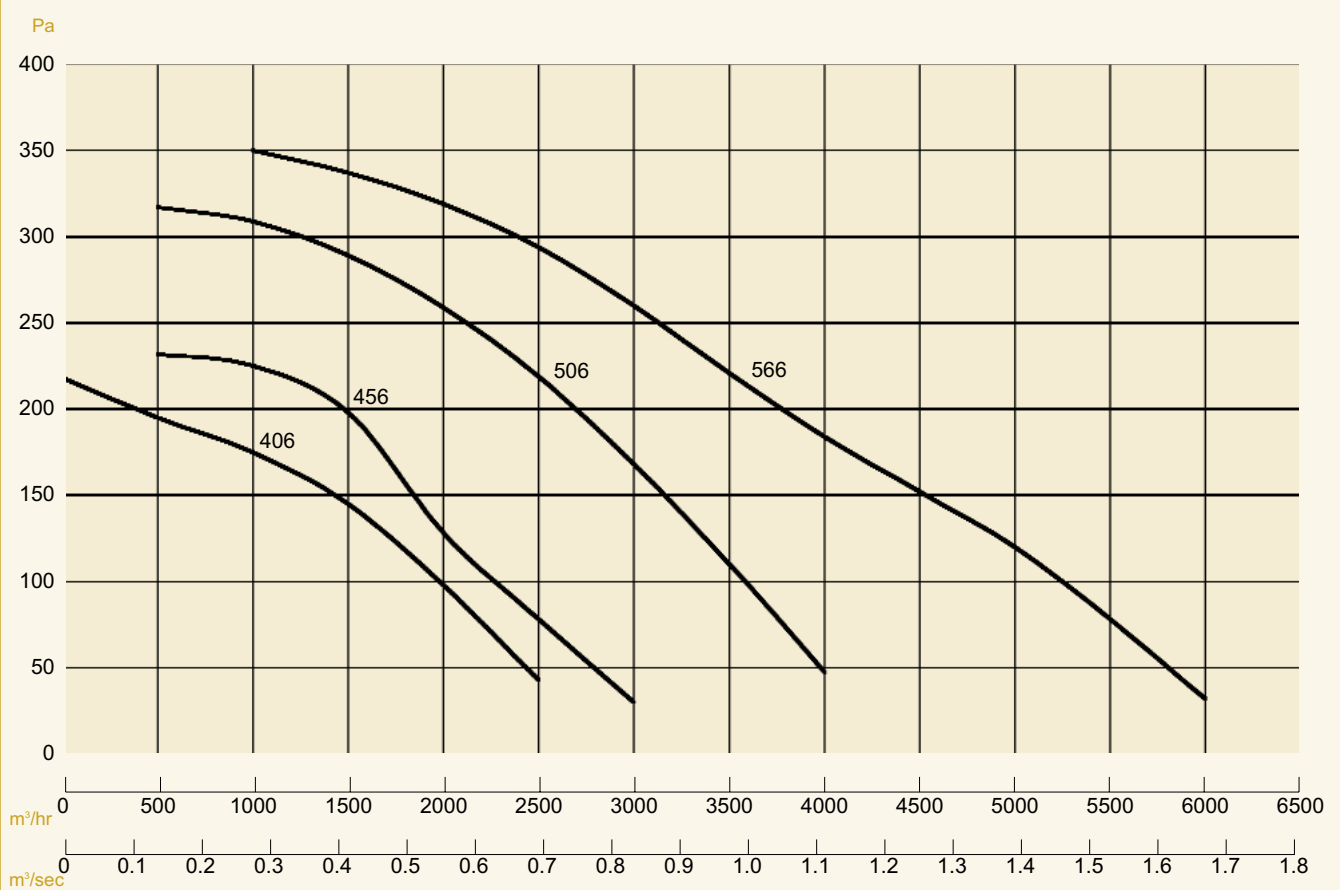
Model	øA	B	C	D	E	F	G	øH	I	øL	kg
CRV254	650	510	38	400	360	-	257	180	290	12	18
CRV314	650	510	38	400	360	-	307	220	290	-	18
CRV354	800	580	38	500	450	-	380	270	340	-	27
CRV40s	980	640	38	650	600	530	471	296	400	12	32
CRV45s	980	650	38	650	600	530	471	296	400	12	40
CRV50s	1200	750	38	760	710	650	550	320	490	14	58
CRV566	1200	750	38	760	710	650	550	370	490	14	60
CRV636	1400	850	38	930	870	775	665	430	540	14	78
CRV716	1400	880	38	930	870	775	665	480	540	14	100
CRV756	1400	880	38	930	870	775	665	480	540	14	110
CRV806	1400	880	38	930	870	775	665	530	540	14	110



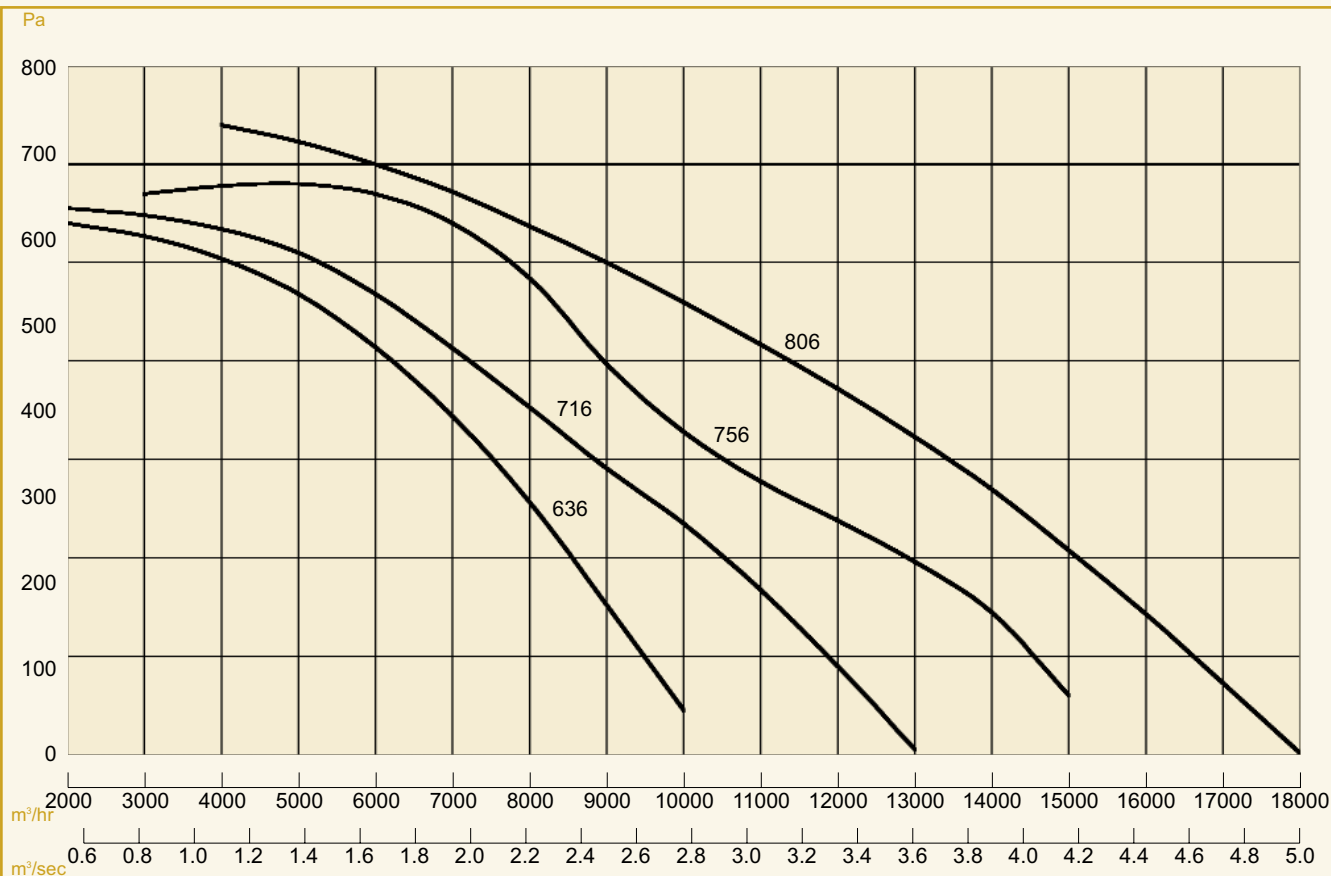
“CRH/CRV” RANGE - PERFORMANCE CURVES 254-504



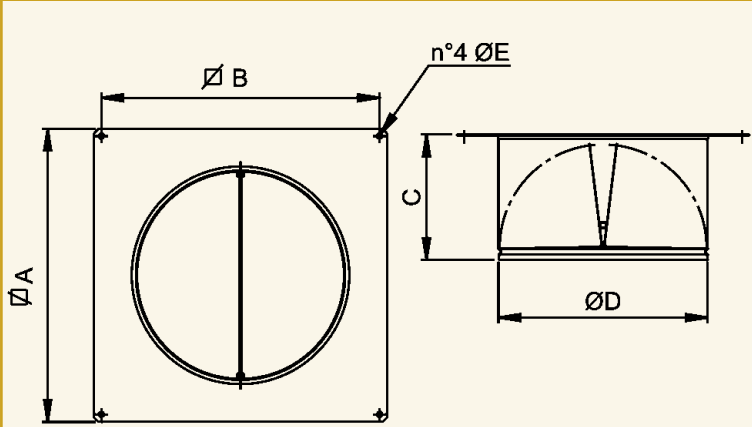
“CRH/CRV” RANGE - PERFORMANCE CURVES 406-566



“CRH/CRV” RANGE - PERFORMANCE CURVES 636-806

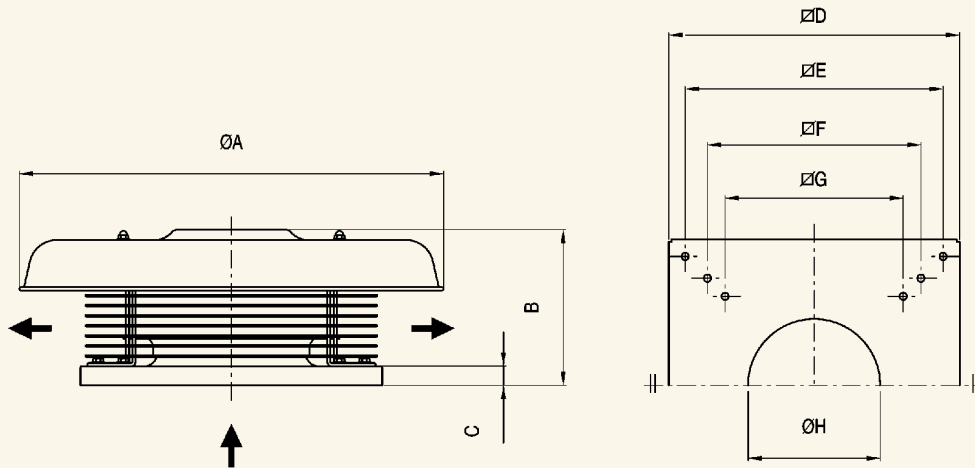


CENTRIFUGAL ROOF FANS - BACKDRAUGHT SHUTTER - DIMENSIONS - mm



Model	A	B	C	$\varnothing D$	$\varnothing E$	kg
CRS20	240	220	105	160	10	1.2
CRS25	280	257	125	200	10	1.5
CSR31	330	307	150	250	10	1.9
CRS35	410	380	200	310	10	3.1
CRS40	500	471	220	350	10	3.8
CRS45	500	471	220	350	10	3.8
CRS50	590	550	270	450	12	5.2
CRS56	590	550	270	450	12	5.2
CRS63	700	665	300	500	12	7.9
CRS71	700	665	300	500	12	7.9
CRS75	700	665	300	500	12	7.9
CRS80	700	665	300	500	12	7.9

“CRL” RANGE - DIMENSIONS - mm



Model	ØA	B	C	D	E	F	G	ØH	kg
CRL20s	390	240	38	300	265	-	220	125	8
CRL25s	490	230	38	400	360	-	257	180	13
CRL31s	540	270	38	400	360	-	307	220	20
CRL35s	700	315	38	500	450	-	380	270	30
CRL40s	800	360	38	650	600	530	471	296	41

“CRL” RANGE - TECHNICAL DATA

Model	Size		Power kW	Current	RPM	Max Airflow		Duty - m ³ /sec at Pa										Speed Controller	
	ins	cm				m ³ /hr	c.f.m.	0	50	100	150	200	250	300	400	500	1ph	3ph	
CRL202M	8	20	0.06	0.30	2543	440	260	0.120	0.105	0.095	0.080	0.060	0.040	-	-	-	VC1	-	
CRL252M	10	25	0.20	0.90	2439	990	584	0.275	0.250	0.225	0.200	0.175	0.150	0.125	0.075	0.025	VC1	-	
CRL254M	10	25	0.12	0.80	1645	800	472	0.220	0.170	0.120	0.090	0.065	0.045	0.030	-	-	VC1	-	
CRL314M	12	30	0.17	0.70	1316	1290	761	0.360	0.300	0.230	0.150	0.050	-	-	-	-	VC1	-	
CRL314T	12	30	0.18	0.35	1347	1500	885	0.420	0.370	0.310	0.240	0.160	-	-	-	-	-	VC2AT	
CRL354M	14	35	0.40	1.80	1324	2420	1428	0.670	0.590	0.530	0.480	0.430	0.350	0.240	-	-	VC4M	-	
CRL354T	14	35	0.40	0.70	1328	2600	1534	0.720	0.630	0.570	0.520	0.450	0.380	0.290	-	-	-	VC2AT	
CRL404T	16	40	0.70	1.30	1387	3720	2195	1.030	0.950	0.880	0.810	0.700	0.590	0.480	0.260	-	-	VC2AT	

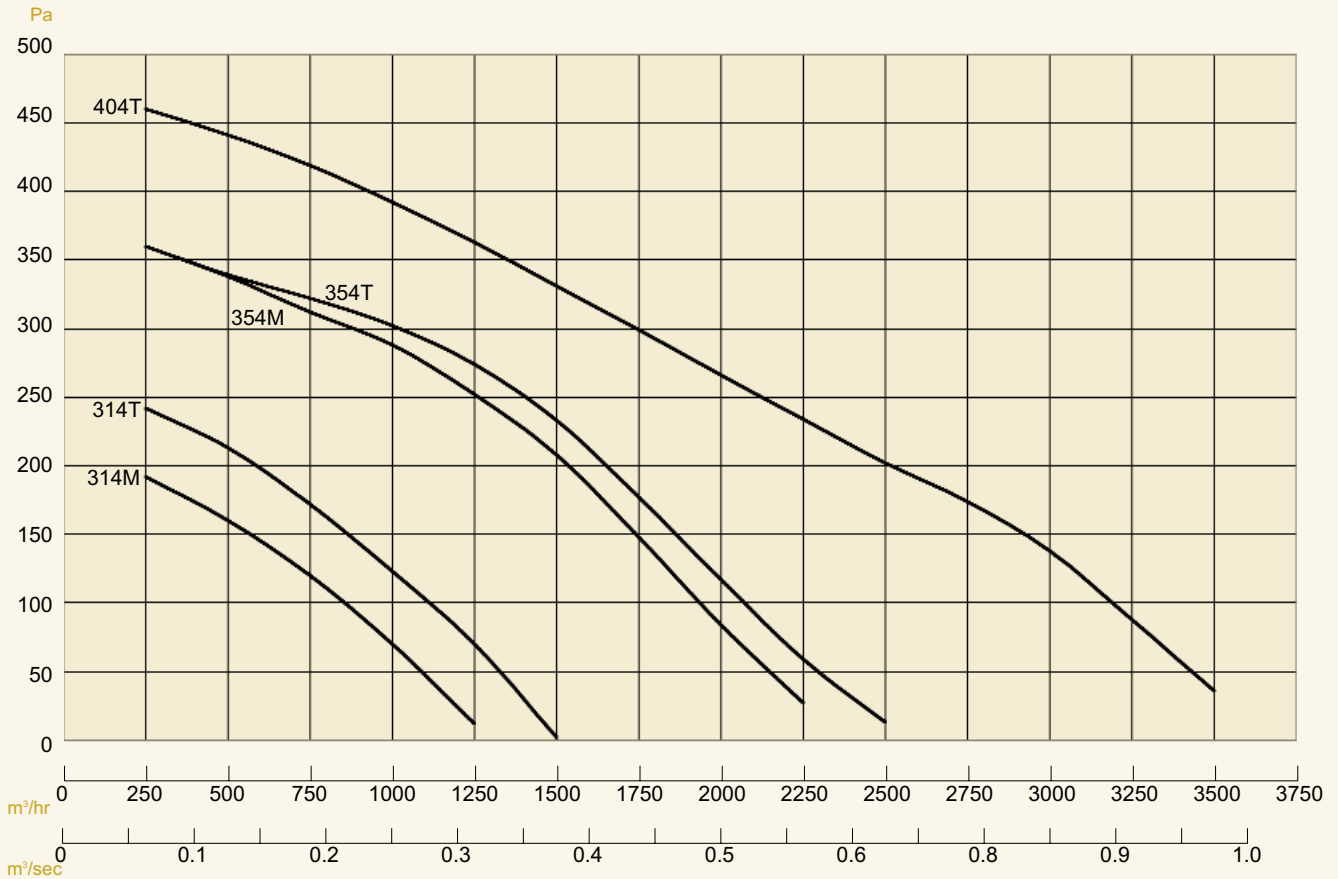
“CRL” Low Profile Roof Mounted Centrifugal Fan

- Horizontal discharge fans for direct or ducted ventilation in residential, commercial and industrial buildings
- Compact design for easy installation with high efficiency and low noise levels
- 6 sizes - from 200 to 400 mm
- Airflow from 440 to 3720 m³/hr
- Base frame and dynamically balanced backward curved impeller in galvanised steel (200mm model in plastic)
- Protection guard in steel rod resistant to atmospheric corrosion
- Upper cover in aluminium
- Single or three phase motors, IP44 with integral thermal overload protection
- Two and four pole motors

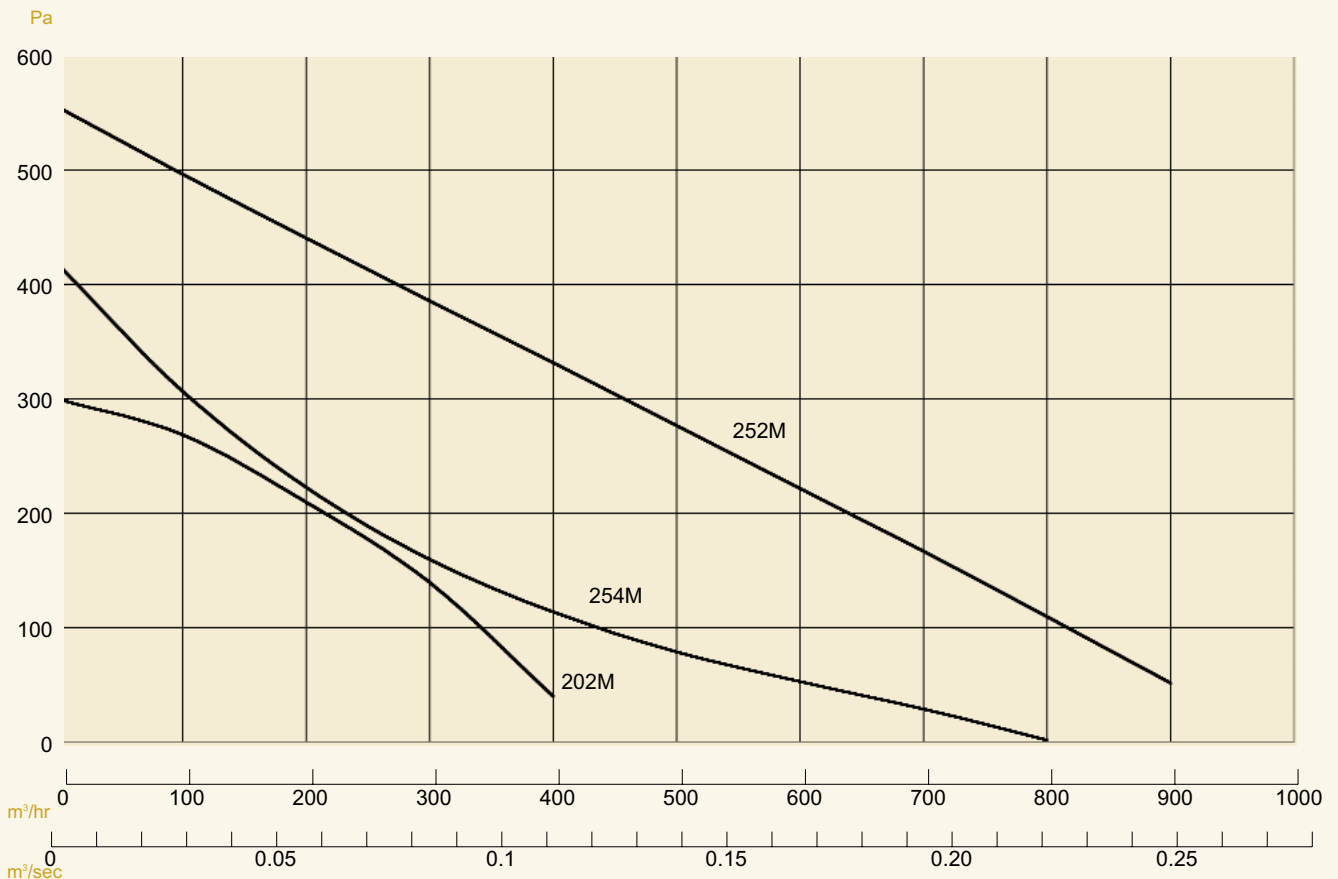
Model	Sound Power Levels (db)								Sound Pressure dbA at 3m
	Mid Octave Bands (Hz)								
	63	125	250	500	1000	2000	4000	8000	
CRL202M	39	51	57	63	62	58	50	40	46
CRL252M	49	61	66	73	72	68	60	50	55
CRL254M	40	52	61	61	63	59	51	41	46
CRL314M	41	53	62	62	64	60	52	42	47
CRL314T	42	54	63	63	65	61	53	43	48
CRL354M	47	59	68	68	70	66	58	48	53
CRL354T	47	59	68	68	70	66	58	48	53
CRL404T	48	60	69	69	71	67	59	49	54



"CRL RANGE - PERFORMANCE CURVES 314M, 354M, 314T, 354T, 404T



"CRL" RANGE - PERFORMANCE CURVES 202M, 252M 254M



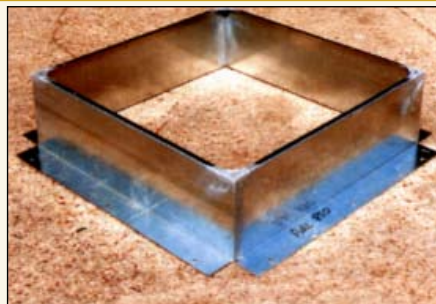
CENTRIFUGAL ROOF FANS - ACCESSORIES



Speed Controllers - Most fans are fully adjustable using either electronic or transformer controllers (*cannot be used with explosion proof fans*).

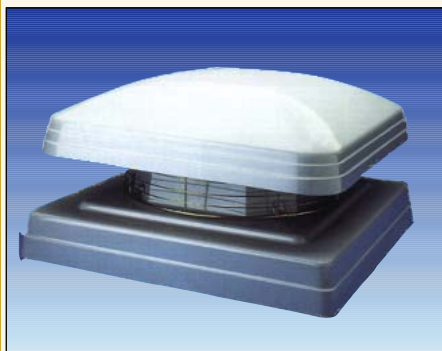


Soaker Sheets - A full range of the most commonly used profiles is available for all fans sizes. Manufactured in glass fibre, they offer a convenient method of weatherproofing for profiled roofs.



Purlin Boxes - These are available for use with soaker sheets to provide a solid fixing for the fans to the roof support structure. They are manufactured in galvanised steel (dimensions page 3)

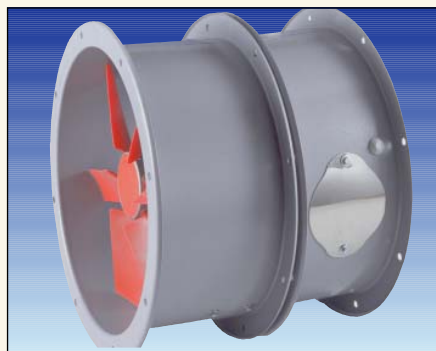
OTHER VECTAIRE INDUSTRIAL / COMMERCIAL / DOMESTIC PRODUCTS



Roof Mounted Axial Fans



Plate Axial Fans



Long Cased Axial Fans



Centrifugal Fans



In-Line Fans



Air Handling Units



Built-in Wall Fans



Window / Wall Fans



Toilet / Bathroom / Kitchen Fans

Vectaire Ltd
 Lincoln Road
 Cressex Business Park
 High Wycombe
 Buckinghamshire
 HP12 3RH
 Tel: +44 (0)1494 522333
 Fax: +44 (0)1494 522337
 Email: sales@vectaire.co.uk
 Web: www.vectaire.co.uk

